

# SA5 Safe Area Multitone Sounder

Up to 112dBA output with 32 user selectable tones

**Up to 112dBA output**

**32 user selectable sounds**

**Low current consumption**

**Wide operating voltage (9-28VDC)**

**Two distinctive tones for two stage alarms**

**Automatic synchronisation**

**Volume control**

**Lockable base available**

**IP65 protection**

The SA5 Safe Area Multitone Sounder is a high specification, cost effective alarm Sounder with a maximum sound output of 112dBA. It is ideally suited for use in areas of high ambient noise, with adjustable volume if less sound output is required.

The SA5 Multitone Sounder has a choice of 32 tones, including all the major international standards, which are user selectable using a DIL switch during installation. A second tone is available, which can be switched in by the connection of a third wire to the sounder.

The IP65 rated casing provides a high level of durability and resistance to environmental conditions.

All the connections are made to the base and the sounder head twists and locks into position on commissioning. This avoids wiring and connection problems.

The SA5 Multitone Sounder is a value for money, high output, durable sounder, designed for reliability and flexibility in operation.



# Specification

## Sound

32 user selectable tones. See table below for tone types and related volumes. A second tone is available, which can be switched in by the connection of a third wire to the sounder

## Supply

9-28VDC. AC version available on request

## Environment

Operating temperature: -25 °C to +70 °C

## Protection

IP65

## Construction

ABS

## Connections

Six rising clamp terminals suitable for cable up to 2.5mm<sup>2</sup>

## Installation Details

Having all connections made to the deep base section makes wiring simple and convenient. When the wiring is completed and tested the sounder head is simply twisted into place

## Weight

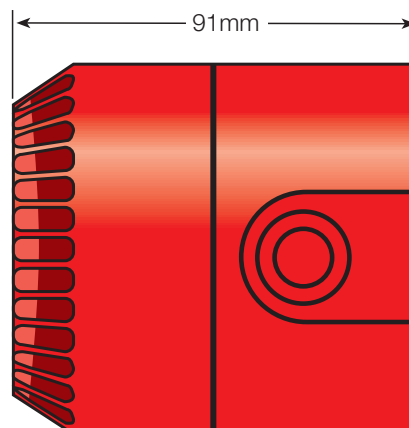
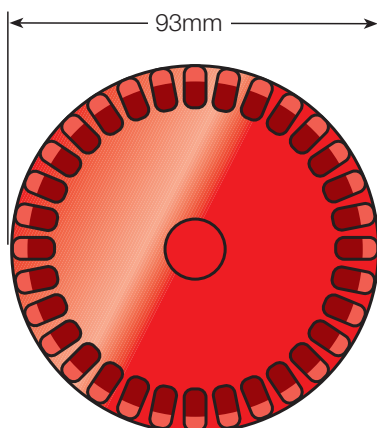
0.25KG

## Order Code

SA5

No.	Description	2nd Tone	Code 12345	Typical current		Typical Sound Output*	
				12V	24V	12V	24V
1	Alternating Tones 800/970 at 2 Hz	14	11111	8	16	94	101
2	Sweeping 800/970 Hz at 7 Hz	14	11110	8	16	95	102
3	Sweeping 800/970 Hz at 1 Hz	14	11101	8	16	96	102
4	Continuous at 2850 Hz	14	11100	14	30	105	111
5	Sweeping 2400-2850 Hz at 7 Hz	4	11011	16	28	104	111
6	Sweeping 2400-2850 Hz at 1 Hz	4	11010	15	28	104	111
7	Slow Whoop 500-1200 Hz 3s on 0.5 off	14	11001	10	18	93	99
8	Sweep 1200-500 Hz at 1 Hz	14	11000	7	14	92	99
9	Alternating Tones 2400/2850 2 Hz	4	10111	17	28	103	110
10	Intermittent Tone of 970 Hz at 1 Hz	14	10110	7	10	94	101
11	Alternating Tones 800/970 Hz at 1 Hz	14	10101	8	16	94	101
12	Intermittent Tone at 2850 Hz at 1 Hz	4	10100	12	22	103	110
13	Intermittent 970 Hz 0.25s on 1s off	14	10011	3	6	90	97
14	Continuous at 970 Hz	14	10010	9	18	95	102
15	Alternating 554 Hz for 100 ms/440 Hz for 400ms	14	10001	5	10	88	94
16	Intermittent 660 Hz 150ms On/150 ms Off	16	10000	4	7	81	87
17	Intermittent 660 Hz 1.8s On/1.8s Off	17	01111	5	10	84	89
18	Intermittent 660 Hz 6.5s On/13s Off	18	01110	6	12	84	89
19	Contuuous 660 Hz	19	01101	6	12	84	90
20	Alternating 554/440 Hz at 1 Hz	20	01100	5	11	91	97
21	Intermittent 660 Hz at 1 Hz	21	01011	4	8	82	88
22	Intermittent 2850 Hz 150 ms On/100 ms Off	14	01010	11	20	102	110
23	Sweep 800-970 Hz at 50 Hz	14	01001	8	16	96	102
24	Sweep 2400-2850 Hz at 50 Hz	4	01000	12	23	104	111
25	Intermittent 970 Hz 500ms On/500ms Off	25	00111	7	12	93	100
26	Intermittent 2850 Hz 500ms On/500ms Off	26	00110	10	18	102	109
27	Continuous at 4k Hz	27	00101	16	33	76	84
28	Alternating tones 800/970 at 2 Hz	10	00100	8	15	94	101
29	Alternating tones 988/645 at 2 Hz	988 Hz	00011	13	19	93	100
30	Alternating 510/610 at 1 Hz	510 Hz	00010	9	13	92	97
31	Sweeping 300-1200 at 1 Hz	31	00001	13	19	91	97
32	Continuous at 4k Hz	27	00101	16	33	76	84

\*When tested in fully anechoic conditions. In practical semi-reverberant conditions outputs may be up to 5dB(A) higher dependant on the tone employed.



Due to our policy of continuous product development, we reserve the right to amend specifications without notice.



RTK Instruments Limited  
St James Business Park,  
Knaresborough, North Yorkshire,  
England. HG5 8PJ

A member of the MTL Instruments Group

Telephone: +44 (0)1423 580500  
Facsimile: +44 (0)1423 580501  
Web: [www.rtkinstruments.com](http://www.rtkinstruments.com)  
Email: [enquiry@rtkinstruments.com](mailto:enquiry@rtkinstruments.com)